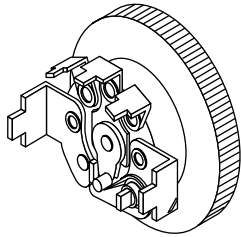
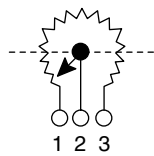
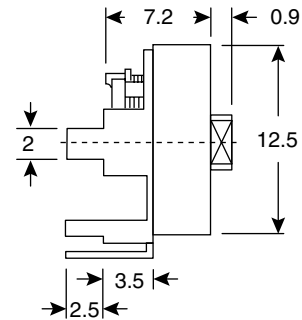
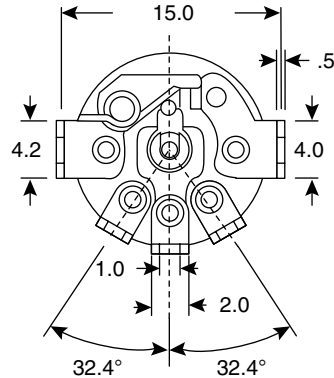




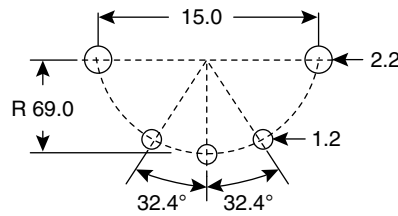
12mm Thumbwheel Potentiometers RV121S-30-009J-XXX-00K



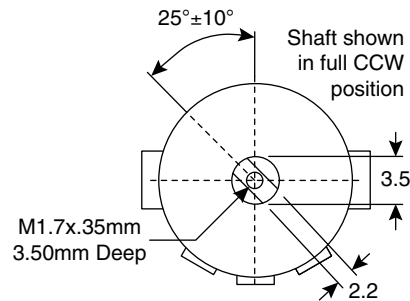
Dimensions: mm



Circuit Diagram



Mounting Holes



Specifications:

- Type: PC Mount, 12mm, audio subminiature thumbwheel w/ switch
- Rotation Angle: $230^\circ \pm 5^\circ$
- Rotation Torque: 20 ~ 200gf. cm
- Rated Wattage: Linear - 0.08W
Audio - 0.04W
- Max. Working Voltage: Linear - 150V
Audio - 100V
- Stop Strength: >2Kgf. cm / min
- Resistance Tolerance: $\pm 20\%$
- Rotations Life: 15,000 cycles

XXX	Value	Taper
A13	1K	Audio
A53	5K	Audio
A14	10K	Audio
A54	50K	Audio
A15	100K	Audio
A55	500K	Audio
B13	1K	Linear
B53	5K	Linear
B14	10K	Linear
B54	50K	Linear
B15	100K	Linear
B55	500K	Linear

Tol. Unless Otherwise Stated		
Less Than	10	± 0.3
Above	10-30	± 0.5
Above	30~100	± 1.0
Above	- - -	$\pm 5^\circ$